

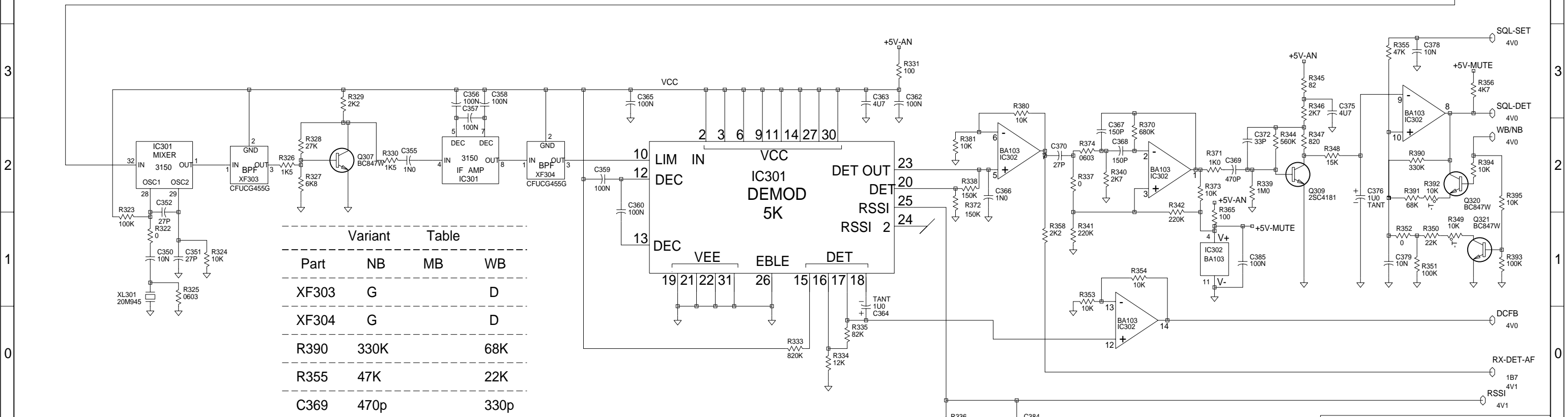
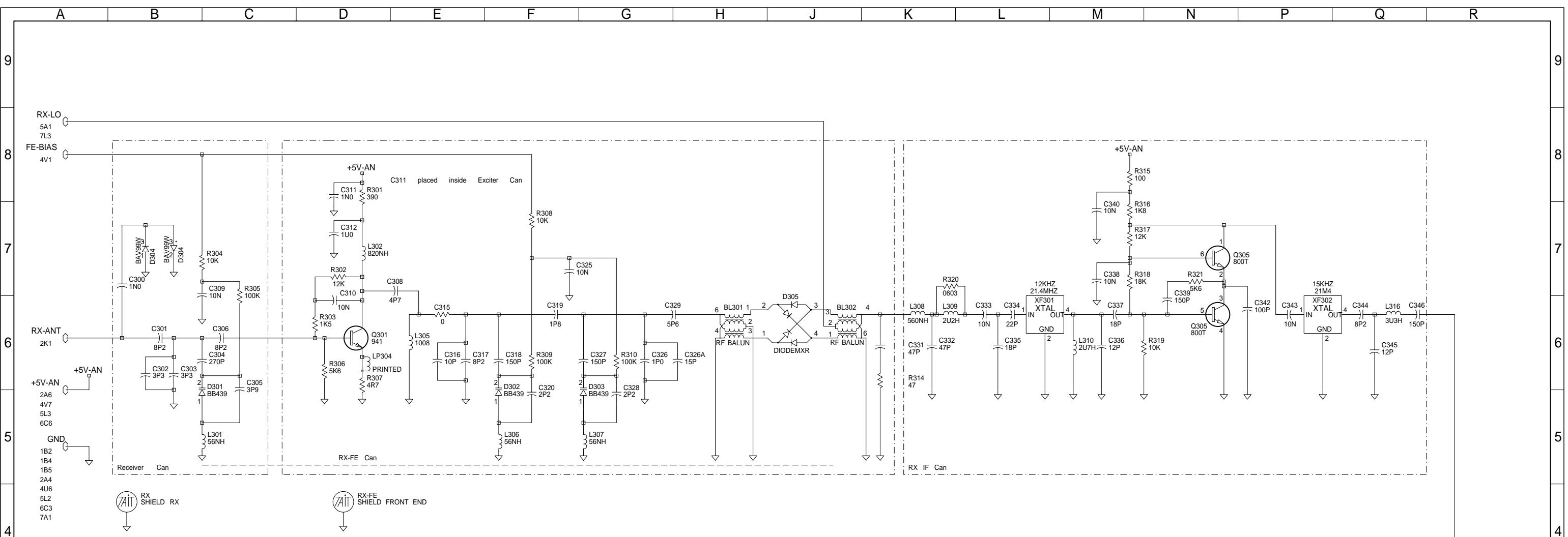
Interface PCB

Connector Accessory



04A	CCO NO. 1654-004	BRD			15-03-01
03B	CCO NO. 1654-003	BRD			08-01-01
03A	CCO NO. 1654-002	BRD			26-09-00
02A	CCO NO. 1654-001	BRD			09-8-00
01A	NEW PA LINEUP SYNTH RX	BRD			10/07/00
REV/ISS	AMENDMENTS	DRAWN	CHKD	D.O.	APVD DATE

© TAIT ELECTRONICS	
TOP T5K	174-225MHZ
SYSTEM DIAGRAM	
IPN: 220-01654-04	ISSUE: A
DESIGNER: TAIT ORCA	FILE NAME: BRD
DATE: 15-Mar-01	NO. SHEETS: 7

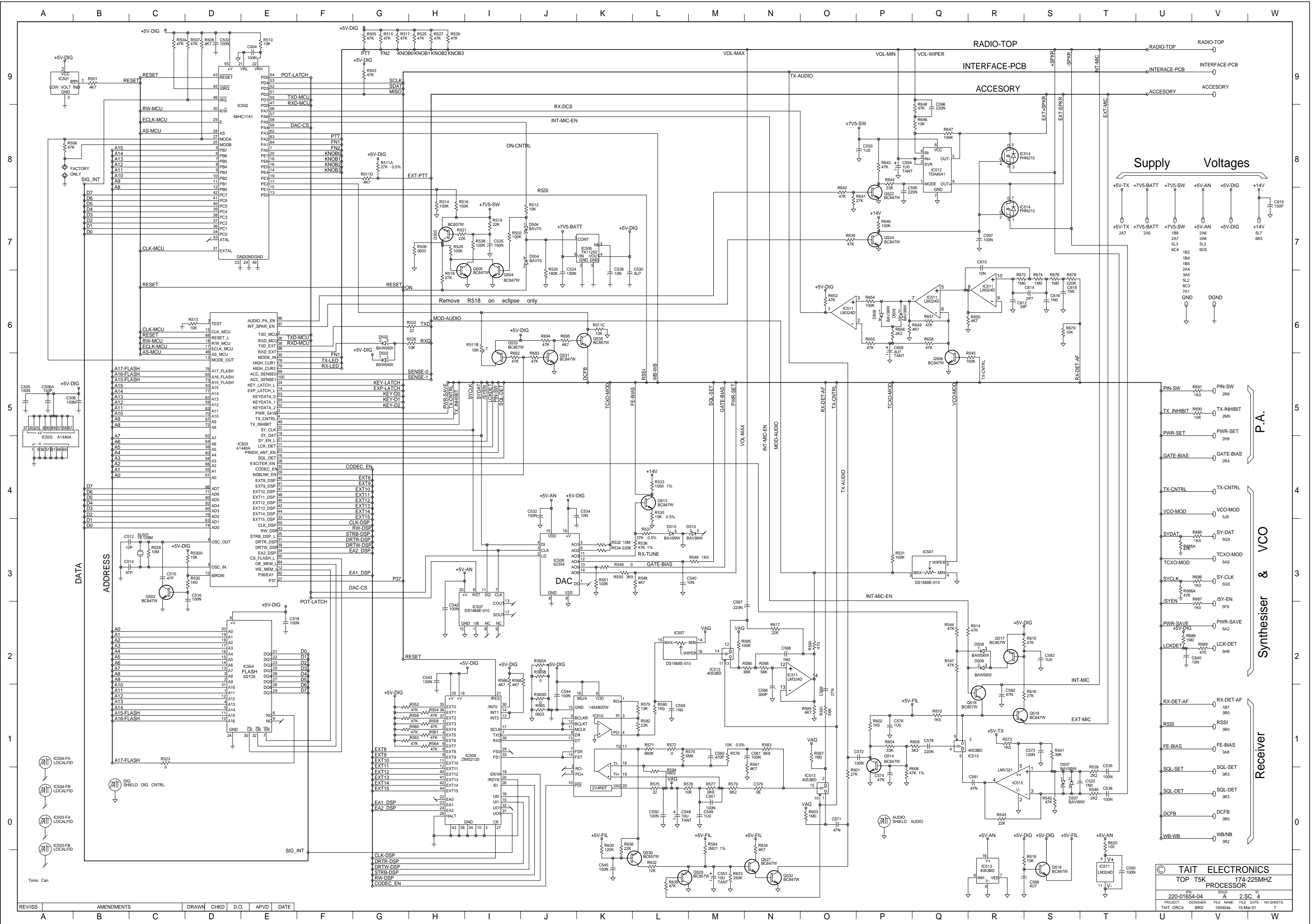


Variant Table

Part	NB	MB	WB
XF303	G		D
XF304	G		D
R390	330K		68K
R355	47K		22K
C369	470p		330p

© TAIT ELECTRONICS
 TOP T5K 174-225MHZ RECEIVER
 IPN: 220-01654-04 ISSUE: A 2.S.C. 3
 PROJECT: TAIT ORCA DESIGNER: BRD FILE NAME: 165404a FILE DATE: 15-Mar-01 NO.SHEETS: 7

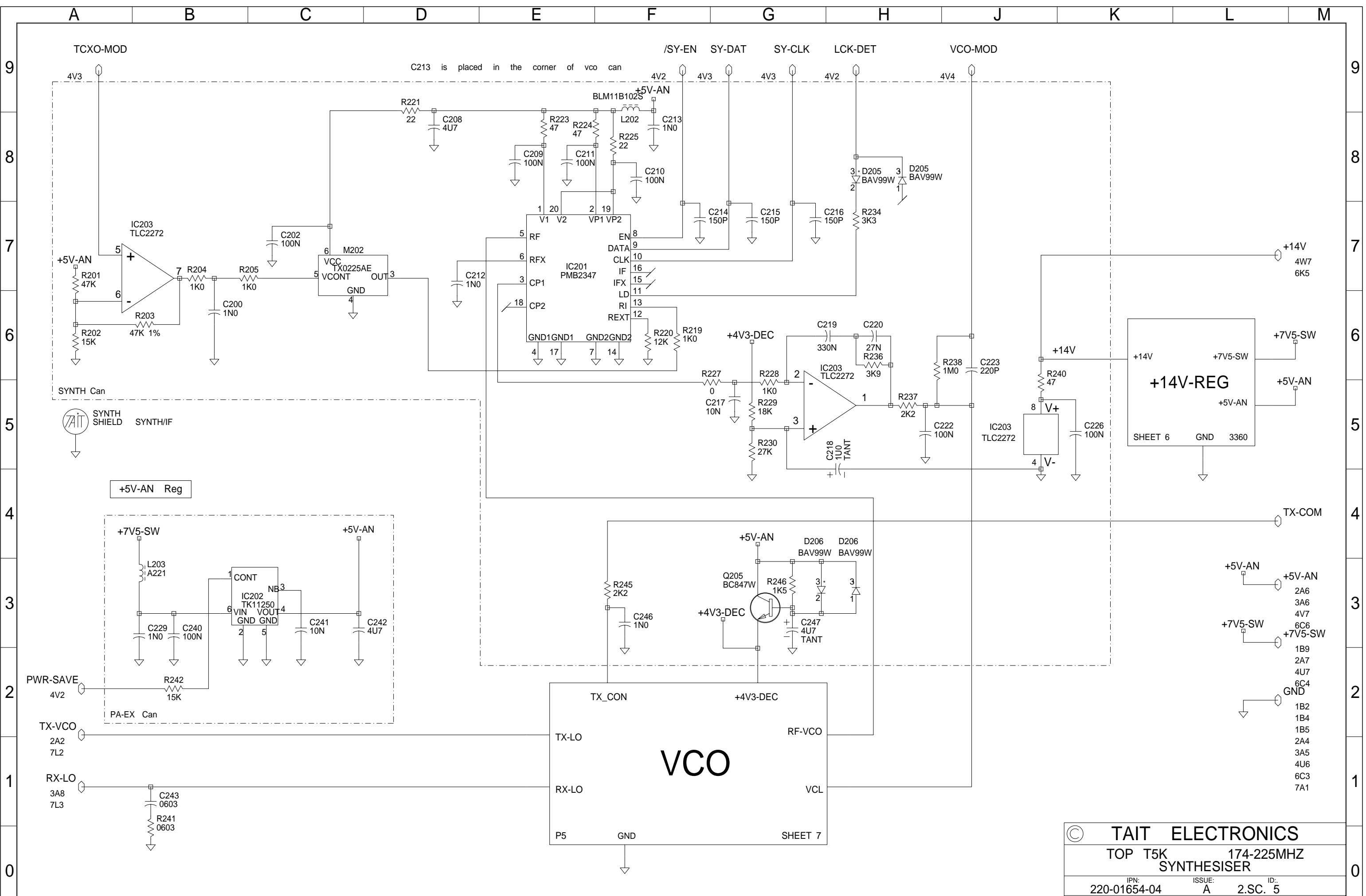
REV/ISS	AMENDMENTS	DRAWN	CHKD	D.O.	APVD	DATE
A						



© TAIT ELECTRONICS
 TOP T5K 174-225MHZ
 PROCESSOR
 220-01654-04
 2-SC-4
 PROJECT DESIGNER FILE NAME FILE DATE
 TAIT ORCA BRD 165404a 15-Mar-01

REV/ISS	AMENDMENTS	DRAWN	CHKD	D.O.	APVD	DATE
A						

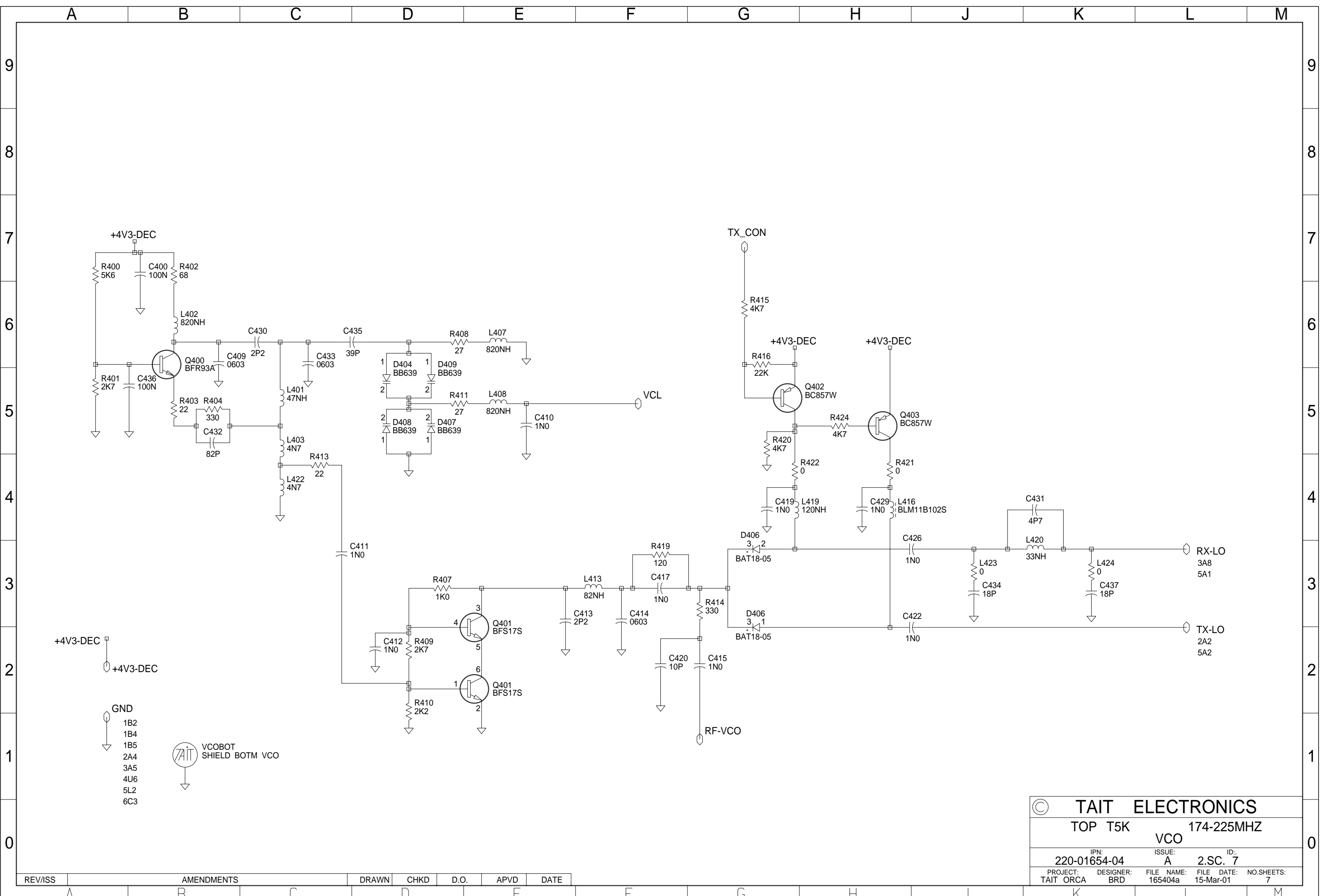
P.A.
 Synthesiser & VCO
 Receiver



© TAIT ELECTRONICS				
TOP T5K		174-225MHZ		
SYNTHESISER				
IPN:	ISSUE:	ID.:		
220-01654-04	A	2.SC. 5		
PROJECT:	DESIGNER:	FILE NAME:	FILE DATE:	NO.SHEETS:
TAIT ORCA	BRD	165404a	15-Mar-01	7

REV/ISS	AMENDMENTS	DRAWN	CHKD	D.O.	APVD	DATE

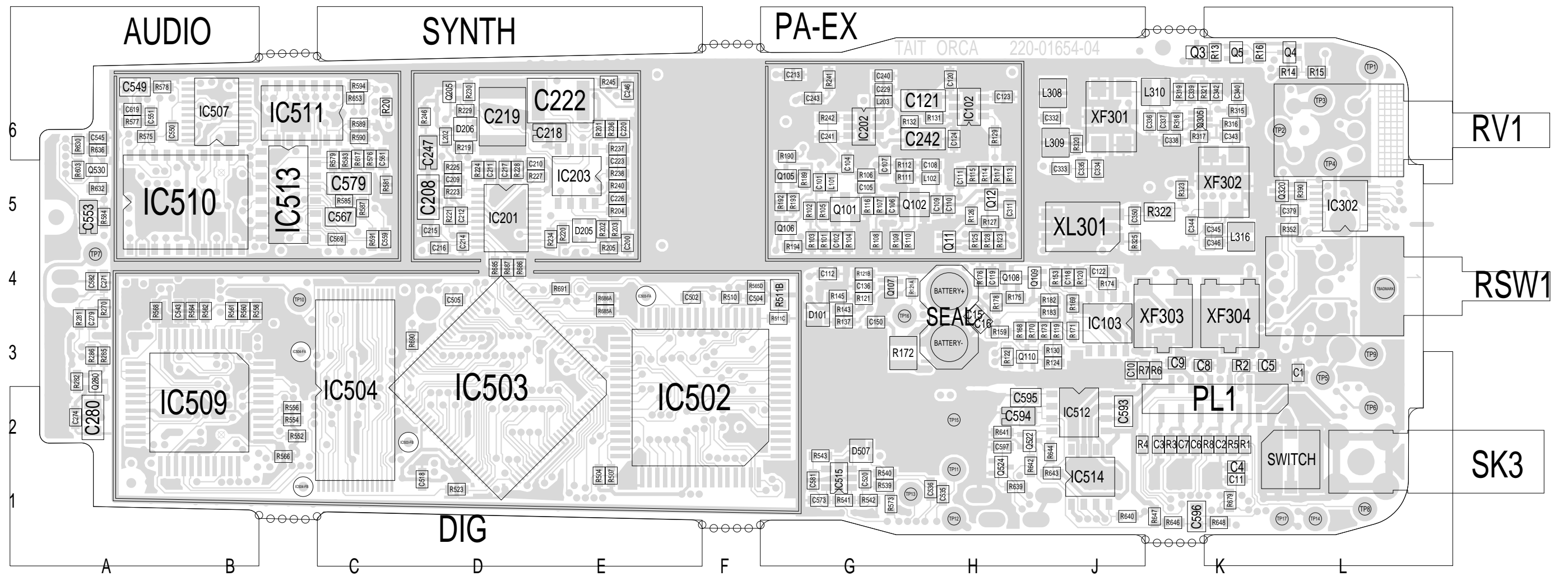
- +5V-AN 2A6
- +5V-AN 3A6
- 4V7
- +7V5-SW 6C6
- +7V5-SW 1B9
- 2A7
- 4U7
- +7V5-SW 6C4
- GND 1B2
- 1B4
- 1B5
- 2A4
- 3A5
- 4U6
- 6C3
- 7A1



© TAIT ELECTRONICS
 TOP T5K 174-225MHZ
 VCO
 IPN: 220-01654-04 ISSUE: A ID: 2.SC. 7
 PROJECT: TAIT ORCA DESIGNER: BRD FILE NAME: 165404a FILE DATE: 15-Mar-01 NO.SHEETS: 7

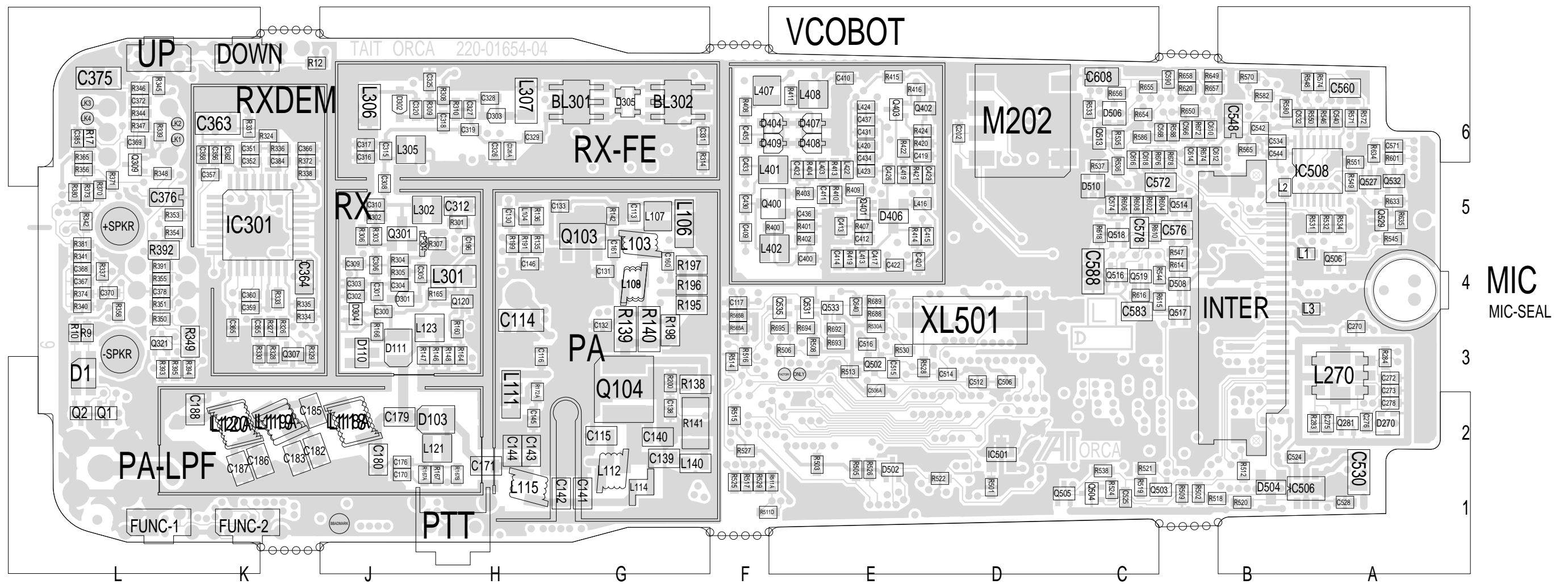
REV/ISS	AMENDMENTS	DRAWN	CHKD	D.O.	APVD	DATE

A B C D E F G H J K L M



TAIT ELECTRONICS IPN: 220-01654-04 ISS: A ID: 1.TA DATE: 15 Mar 2001
 TAIT ORCA PCB LAYOUT - TOP SIDE

Scale: 2.3:1 ; Rotation: 0 degrees



TAIT ELECTRONICS IPN: 220-01654-04 ISS: A ID: 6.BA DATE: 15 Mar 2001
 TAIT ORCA PCB LAYOUT - BOTTOM SIDE